

Polycover 1500

Elegant covering solutions for doors and windows

150L x 91.8W x 16H cm

59"L x 36¹/₄"W x 6¹/₂"H

Features and Benefits

- Upscale and elegant design – for multiple covering applications
- Engineered to meet snow and wind loads in most areas when properly assembled and anchored
- Easy assembly by 2 people – includes smart and fast locking system
- No special tools required - hardware included
- Efficient, compact package for easy storage and delivery
- Easily cleaned using compatible materials
- Includes integrated aluminum rain gutter
- Canopy cover area - 1.4 sqm / 14.7 sqf

Frames

- High-end anodized aluminum wall mount and gutter system for long lasting performance and beauty
- Laser cut steel support arms with a unique locking system that creates a strong and durable canopy cover
- Includes hidden rubber gaskets that seal the canopy to the wall surface and direct rainwater downward

Cover

- Polycover is an advanced engineered system that provides durable high quality acrylic panels that are 100% UV protected
- Smart panel system that slides and locks for quick and easy installation

Typical Cover Applications:

- Doors
- Windows
- Air conditioners
- Smoking areas
- Bicycle parking areas
- Mail boxes
- Air vents

Available canopy panel types:

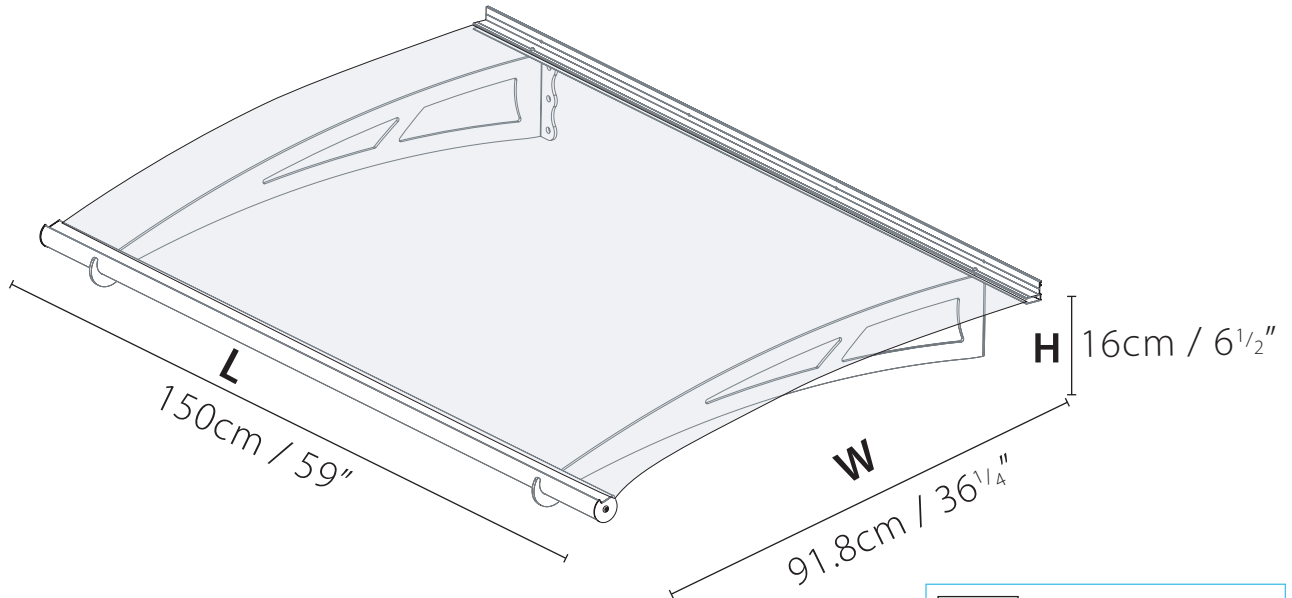
- Clear acrylic
- Solar gray acrylic





Polycover is a very popular canopy cover that is both elegant and durable and will decorate your entryway or window. Designed for functional use, Polycover provides protection and great looks for all seasons. Engineered with high-end aluminum, powder coated steel and UV acrylic panels this canopy system creates a heavy-duty, do-it-yourself system.

Polycover will cover just about anything that you want to protect around your house or building using the same structure including doors, windows, air conditioners, air vents and more. The smart design locking system enables easy and quick installation for many years of protection and beauty

Polycover I500



-  Panel Type F :
Clear Acrylic
-  Panel Type G :
Solar Gray Acrylic

Polygal is the leading manufacturer of polycarbonate sheets, and is known throughout the world for the outstanding quality of its products. Polygal was the first manufacturer in the world to create structured Polycarbonate sheets, and over the last 35 years has developed and produced a broad spectrum of these products, which are successfully covering a full array of structures worldwide.

POLYGAL

Plastics Industries Ltd.
Ramat Hashofet 19238, Israel
Tel: 972-4-9596222,
Fax: 972-4-9596284,
E-mail: sales@polygal.com

POLYGAL Inc.

P.O.Box 410592, Charlotte,
NC 28241 USA
Tel: 1 704 588 3800,
Fax: 1 704 588 7400,
E-mail: usasales@polygal.com

POLYGAL SUD

Los Nogales 721, Lote 21-22,
Condomino Industrial Segunda Orbital,
Comuna de Lampa, Santiago - Chile
Tel: 56 2 411 4160, Fax: 56 2 411 4162
E-mail: ventas@polygal.cl

www.polygal.com

Technical Support E-mail: techsupport@polygal.com